



AGRICULTURAL - TIE ROD CYLINDERS

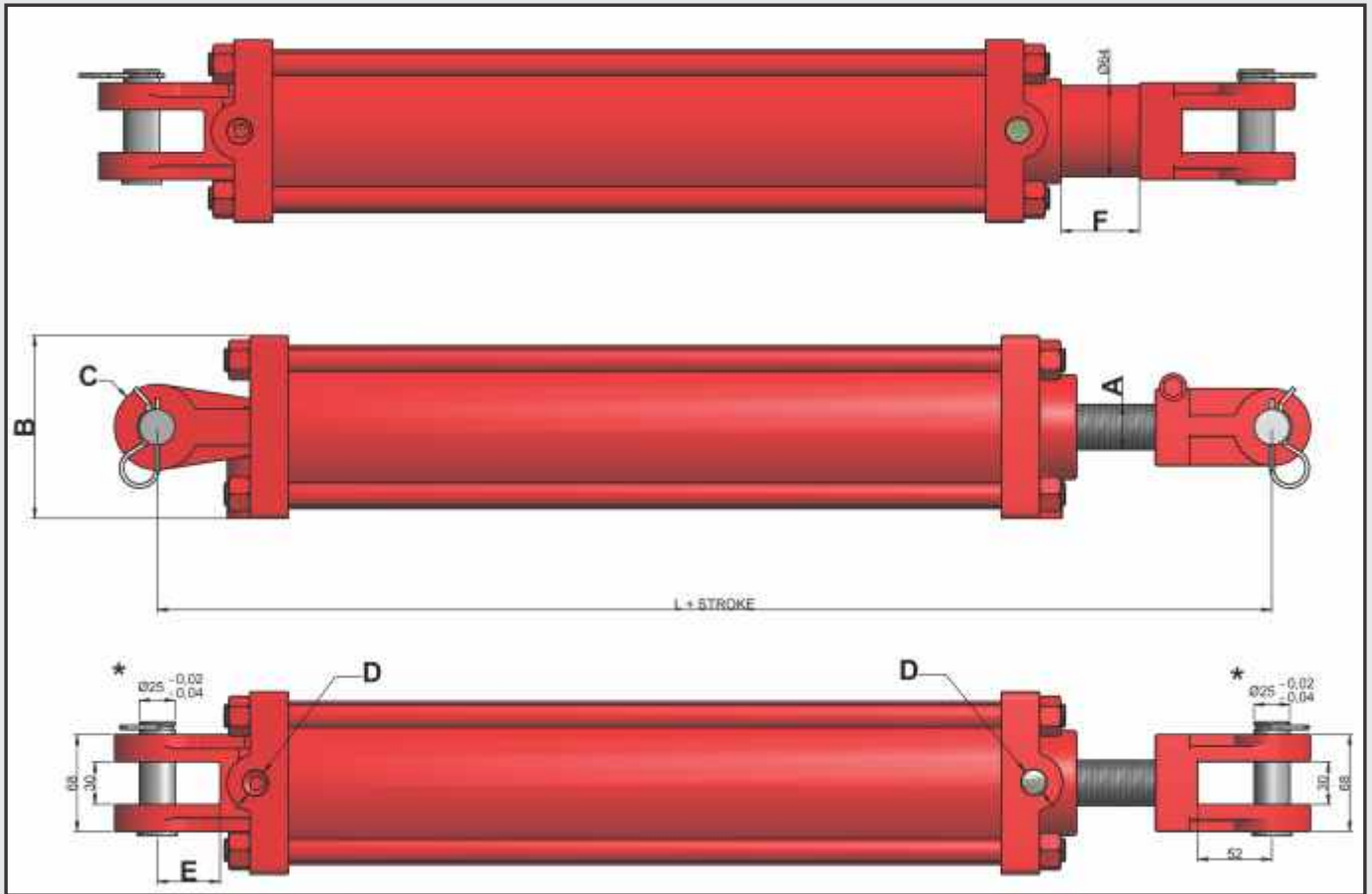
Technical Overview

BEE4
EMPOWERING SUPPLIER

SANS	ISO 9001
SANS	ISO 14001
SANS	OHSAS 18001

TECHNICAL DIMENSIONS

SHOWN WITH STROKE ADJUSTER



BORE DIAMETER		2" (50.8mm)	3" (76.2mm)		4" (101.6mm)		
ROD DIAMETER		1 1/16" (27mm)	1 1/4" (31.75mm) 1 1/2" (38.1mm)		1 1/2" (38.1mm) 2" (50.8mm)		
DIMENSION	REMARKS						
A	UNF THREAD	12UNF	12UNF	12UNF	12UNF	12UNF	
B		78	105		128		
C		25	25		30		
D		3/8" NPT	1/2" NPT				
E		36			44		
F	WITHOUT SHAFT EXT					4	
F	WITH SHAFT EXT					55	
L	WITHOUT SHAFT EXT					260	
L	WITH SHAFT EXT					311	

2" / 50.8mm BORE TIE ROD CYLINDERS 1.1/16" 27mm SHAFT

	STROKE	CLOSED CENTRE	OPEN CENTRE	PART NUMBER
1	150	412	562	HYD-TR2006-106
2	200	463	663	HYD-TR2008-106
3	200	514	714	HYD-TR2008AX-106
4	200	514	714	HYD-TR2008AXD-106
5	250	514	764	HYD-TR2010-106
6	300	565	865	HYD-TR2012-106
7	350	616	966	HYD-TR2014-106
8	400	666	1066	HYD-TR2016-106
9	450	717	1167	HYD-TR2018-106
10	500	768	1268	HYD-TR2020-106
11	600	870	1470	HYD-TR2024-106
12	750	1022	1772	HYD-TR2030-106
13	900	1174	2074	HYD-TR2036-106

3" / 76.2mm BORE TIE ROD CYLINDERS 1.25" / 31.75mm SHAFT

	STROKE	CLOSED CENTRE	OPEN CENTRE	PART NUMBER
1	150	412	562	HYD-TR3006-125
2	200	463	663	HYD-TR3008-125
3	200	514	714	HYD-TR3008AX-125
4	200	514	714	HYD-TR3008AXD-125
5	250	514	764	HYD-TR3010-125
6	300	565	865	HYD-TR3012-125
7	350	616	966	HYD-TR3014-125
8	400	666	1066	HYD-TR3016-125
9	450	717	1167	HYD-TR3018-125
10	500	768	1268	HYD-TR3020-125
11	600	870	1470	HYD-TR3024-125
12	750	1022	1772	HYD-TR3030-125
13	900	1174	2074	HYD-TR3036-125

3" / 76.2mm BORE TIE ROD CYLINDERS 1.5" / 38.1mm SHAFT

	STROKE	CLOSED CENTRE	OPEN CENTRE	PART NUMBER
1	150	412	562	HYD-TR3006-150
2	200	463	663	HYD-TR3008-150
3	200	514	714	HYD-TR3008AX-150
4	200	514	714	HYD-TR3008AXD-150
5	250	514	764	HYD-TR3010-150
6	300	565	865	HYD-TR3012-150
7	350	616	966	HYD-TR3014-150
8	400	666	1066	HYD-TR3016-150
9	450	717	1167	HYD-TR3018-150
10	500	768	1268	HYD-TR3020-150
11	600	870	1470	HYD-TR3024-150
12	750	1022	1772	HYD-TR3030-150
13	900	1174	2074	HYD-TR3036-150
14	3000	3260	6260	HYD-TR30120-150

4" / 101.6mm BORE TIE ROD CYLINDERS 1.5" / 38.1mm SHAFT

	STROKE	CLOSED CENTRE	OPEN CENTRE	PART NUMBER
1	150	412	562	HYD-TR4006-150
2	200	463	663	HYD-TR4008-150
3	200	514	714	HYD-TR4008AX-150
4	200	514	714	HYD-TR4008AXD-150
5	250	514	764	HYD-TR4010-150
6	300	565	865	HYD-TR4012-150
7	350	616	966	HYD-TR4014-150
8	400	666	1066	HYD-TR4016-150
9	450	717	1167	HYD-TR4018-150
10	500	768	1268	HYD-TR4020-150
11	600	870	1470	HYD-TR4024-150
12	750	1022	1772	HYD-TR4030-150
13	900	1174	2074	HYD-TR4036-150

4" / 101.6mm BORE TIE ROD CYLINDERS 2" / 50.8mm SHAFT

	STROKE	CLOSED CENTRE	OPEN CENTRE	PART NUMBER
1	150	412	562	HYD-TR4006-200
2	200	463	663	HYD-TR4008-200
3	200	514	714	HYD-TR4008AX-200
4	200	514	714	HYD-TR4008AXD-200
5	250	514	764	HYD-TR4010-200
6	300	565	865	HYD-TR4012-200
7	350	616	966	HYD-TR4014-200
8	400	666	1066	HYD-TR4016-200
9	450	717	1167	HYD-TR4018-200
10	500	768	1268	HYD-TR4020-200
11	600	870	1470	HYD-TR4024-200
12	750	1022	1772	HYD-TR4030-200
13	900	1174	2074	HYD-TR4036-200

THESE ARE STANDARD SIZES, ALTERNATE STROKE LENGTHS CAN BE MANUFACTURED UP TO 4000MM STROKE.

24 HR TOLL-FREE EMERGENCY
BRANCH HELPLINE:

0800 022 224

WEBSITE:

www.bmgworld.net



 An Invicta Holdings Group Company

BEARINGS • SEALS • POWER TRANSMISSION • DRIVES & MOTORS
MATERIALS HANDLING • FASTENERS & TOOLS • HYDRAULICS
PNEUMATICS • FILTRATION • LUBRICATION • VALVES
TECHNICAL RESOURCES • FIELD SERVICES

