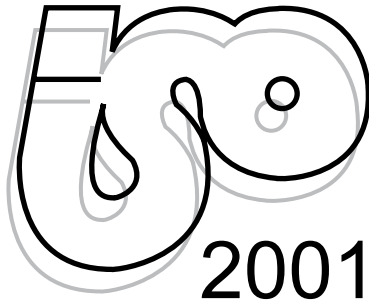


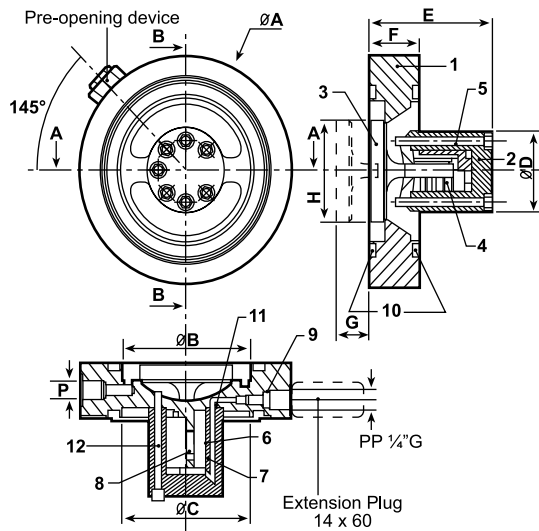
# Industrial Valves - Prefill Valves

## R Series - Prefill Valves



- Prefill Valves
- Max Pressure 400 Bar
- Decompression Valve Ratio 1:5 (optional)
- Max Pilot Pressure 100 Bar

Part Number	Size	Max. flow	Max. press	Opening Ratio	Decompr. Ratio	Max. pilot pressure	Weight (Kg.)
R -114	DN-32	160 l/min.	400 Bar	3.6:1	1:5	100	1.2
R -112	DN-40	250 l/min.		3.9:1			1.7
R -200	DN-50	400 l/min.		4.2:1			2.5
R -212	DN-63	600 l/min.		4.2:1			3.5
R -300	DN-80	1000 l/min.		4.5:1			5.2
R -400	DN-100	1600 l/min.		4.3:1			12
R -500	DN-125	2500 l/min.		4.3:1			20
R -600	DN-160	4000 l/min.		4.3:1			42



*Directly interchangeable with other leading prefill valve brands*

R series Prefill Valve Dimensions

Part Number	A	B	C	D	E	F	G	H	I	P (Bsp)
R-114	93	43	43	32	55	27	8	32	60°	1/4
R-112	108	54	57	39	60	28	10	41.5	45°	1/4
R-200	128	73	73	43	72	29	12	53	45°	1/4
R-212	143	87	87	50	83	34	14	63	45°	1/4
R-300	169	107	107	56	97	38.5	17	77.5	45°	1/4
R-400	212	130	130	69	118	44	22	95.5	45°	3/8
R-500	248	168	151	88	155	51	30	127	-	3/8