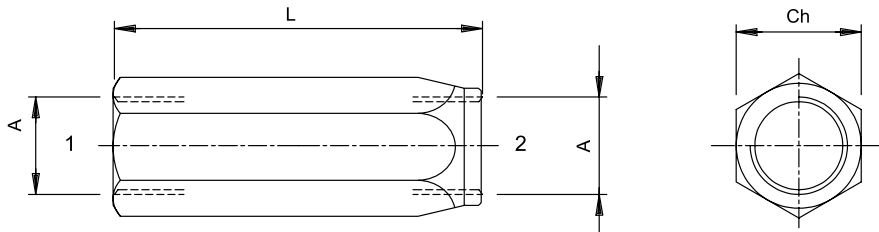


Mobile Valves - Check Valves

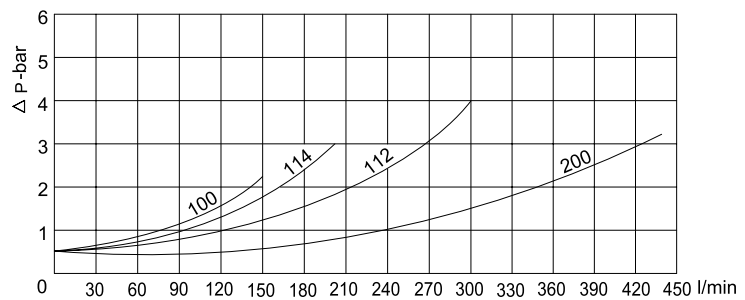
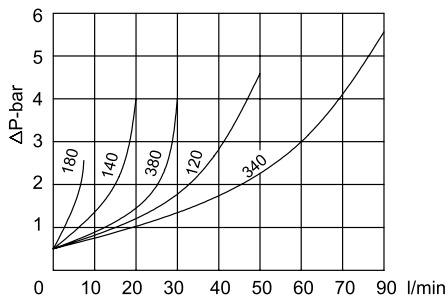
VUR-BSP Series - Threaded Check Valves



Part Number	Rated Flow (l/m)	Port Type	Operating Pressure (Bar)	Cracking Pressure (Bar/PSI)	L
VUR140SP1	15	1/4" BSP	350	1 Bar / 14psi	55
VUR380SP1	30	3/8" BSP	350	1 Bar / 14psi	65
VUR120SP1	50	1/2" BSP	320	1 Bar / 14psi	75
VUR340SP1	90	3/4" BSP	300	1 Bar / 14psi	86
VUR100SP1	150	1" BSP	250	1 Bar / 14psi	110
VUR114SP1	200	1 1/4" BSP	250	1 Bar / 14psi	123
VUR112SP1	300	1 1/2" BSP	210	1 Bar / 14psi	138
VUR200SP1	430	2" BSP	150	1 Bar / 14psi	160



Pressure Drop Curves



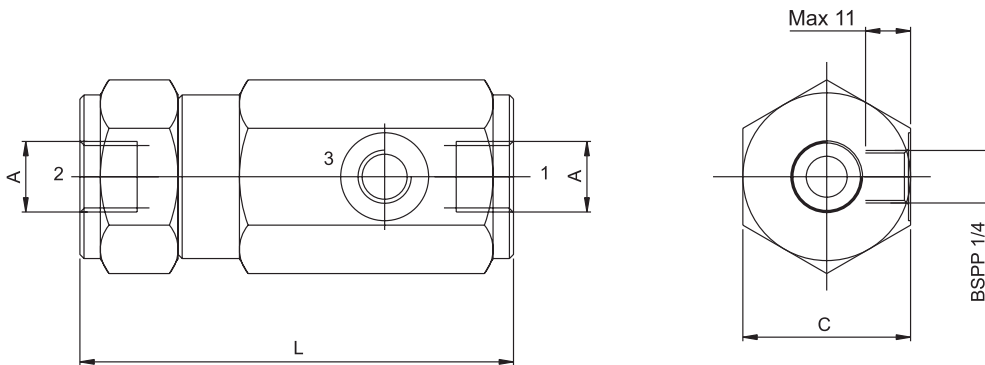
Mobile Valves - Check Valves

VRP Series Single Acting Pilot Operated Check Valves



Part Number	Rated Flow (l/m)	Port Type	Operating Pressure (Bar)	Cracking Pressure (Bar/PSI)	Pilot Ratio	L	C
VRPE140	25	1/4" BSP	350	1 Bar / 14psi	1 : 5	100	36
VRPE380	40	3/8" BSP	350	1 Bar / 14psi	1 : 4.4	105	41
VRPE120	60	1/2" BSP	350	1 Bar / 14psi	1 : 4.2	125	41
VRPE340	90	3/4" BSP	300	1 Bar / 14psi	1 : 4	130	55

Single acting pilot operated check valves are used to lock a single acting cylinder in place. Pressure sensed from the valves pilot port is needed to release the cylinder.



Pressure Drop Curves

