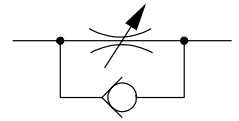


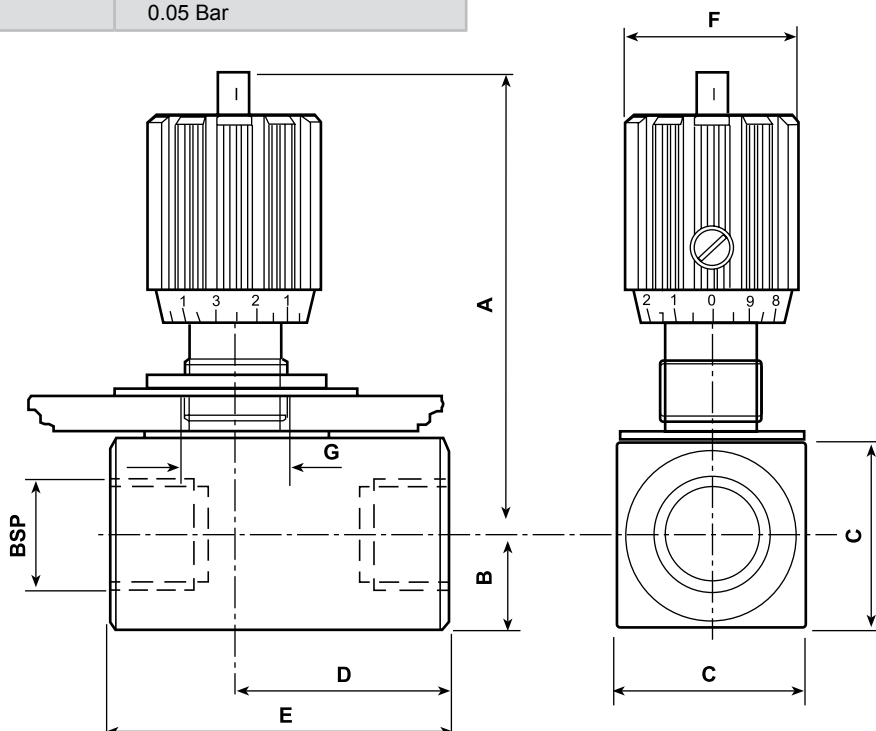
NDRV Series - Flow Control Valves (Full Flow Return)



Part Number	Max Working Pressure (Bar)	Flow Control Direction	Dimensions (mm)								
			Ports (BSP)	A (Open)	A (closed)	B	C	D	E	F	G
NDRV-DN6-G1/8-1A	350	Full flow return	1/8	55	50	8	16	26	45	24	13
NDRV-DN8-G1/4-1A	350	Full flow return	1/4	72	65	12.5	25	33.5	55	29	19
NDRV-DN10-G3/8-1A	350	Full flow return	3/8	74	67	15	30	41	65	29	19
NDRV-DN12-G1/2-1A	350	Full flow return	1/2	92	82	17.5	35	44	73	38	23
NDRV-DN16-G3/4-1A	350	Full flow return	3/4	106	96	22.5	45	57	88	38	23
NDRV-DN20-G1-1A	350	Full flow return	1	145	128	25	50	77	127	49	38
NDRV-DN25-G1 1/4-1A	350	Full flow return	1 1/4	150	133	30	60	93	143	49	38
NDRV-DN30-G1 1/2-1A	350	Full flow return	1 1/2	155	138	35	70	108	143	49	38

Technical Specifications

Port Type:	BSP
Max Working Pressure:	350 Bar
Body:	Steel
Seal Material:	NBR
Operating Temp:	-20 to 100°C
Cracking Pressure:	0.05 Bar



Industrial Valves - Flow Control Valves

NDV Series - Needle Valves



Part Number	Max Working Pressure (Bar)	Flow Control Direction	Dimensions (mm)								
			Ports (BSP)	A (Open)	A (closed)	B	C	D	E	F	G
NDV-DN6-G1/8-1A	350	Controlled flow both ways	1/8	63	58	8	16	19	38	24	13
NDV-DN8-G1/4-1A	350	Controlled flow both ways	1/4	84.5	77.5	12.5	25	24	48	29	19
NDV-DN10-G3/8-1A	350	Controlled flow both ways	3/8	89	82	15	30	29	58	29	19
NDV-DN12-G1/2-1A	350	Controlled flow both ways	1/2	109.5	99.5	17.5	35	34	68	38	23
NDV-DN16-G3/4-1A	350	Controlled flow both ways	3/4	128.5	118.5	22.5	45	39	78	38	23
NDV-DN20-G1-1A	350	Controlled flow both ways	1	170	153	25	50	54	108	49	38
NDV-DN25-G1 1/4-1A	350	Controlled flow both ways	1 1/4	180	163	30	60	54	108	49	38
NDV-DN30-G1 1/2-1A	350	Controlled flow both ways	1 1/2	190	173	35	70	54	108	49	38

Technical Specifications

Port Type:	BSP
Max Working Pressure:	350 Bar
Body:	Steel
Seal Material:	NBR
Operating Temp:	-20 to 100°C
Cracking Pressure:	0.05 Bar

