

# Gear Pump Couplings and Bell Housings

Pump Group	Mounting Detail	Motor and Pump Details						Part Numbers				
		Motor size (kW)	Frame size	Motor Speed / Poles	Motor shaft diameter mm	Pump shaft details	Spigot mm	Complete Coupling Part Number	Motor Half	Pump Half	Spider	Bell Housing
Group 0.5 Marzocchi	Bolt Centers 66mm	0.25 - 0.37	71	1400 4pole	14	Cylindrical 6mm	22	ND1	ND48B	ND48P05M	R 42	LS160
		0.37 - 0.55	71	2900 2pole	14	Cylindrical 6mm	22	ND1	ND48B	ND48P05M	R 42	LS160
		0.37 - 0.55	80	960 6pole	19	Cylindrical 6mm	22	ND4	ND48C	ND48P05M	R 42	LS200
		0.55 - 0.75	80	1400 4pole	19	Cylindrical 6mm	22	ND4	ND48C	ND48P05M	R 42	LS200
		0.75 - 1.1	80	2900 2pole	19	Cylindrical 6mm	22	ND4	ND48C	ND48P05M	R 42	LS200
Group 1P	Bolt Centers 71.9mm x 52.4mm	0.25 - 0.37	71	1400 4pole	14	Taper 1:8	25.4	ND2	ND48B	ND48PU1P	R 42	LS161
		0.37 - 0.55	71	2900 2pole	14	Taper 1:8	25.4	ND2	ND48B	ND48PU1P	R 42	LS161
		0.37 - 0.55	80	960 6pole	19	Taper 1:8	25.4	ND5	ND48C	ND48PU1P	R 42	LS201
		0.55 - 0.75	80	1400 4pole	19	Taper 1:8	25.4	ND5	ND48C	ND48PU1P	R 42	LS201
		0.75 - 1.1	80	2900 2pole	19	Taper 1:8	25.4	ND5	ND48C	ND48PU1P	R 42	LS201
		0.75 - 1.1	90	960 6pole	24	Taper 1:8	25.4	ND8	ND65B	ND65PU1P	R 62	LS201
		1.1 - 1.5	90	1420 4pole	24	Taper 1:8	25.4	ND8	ND65B	ND65PU1P	R 62	LS201
		1.5 - 2.2	90	2900 2pole	24	Taper 1:8	25.4	ND8	ND65B	ND65PU1P	R 62	LS201
		1.5 - 2.2	100 - 112	960 6pole	28	Taper 1:8	25.4	ND11	ND65C	ND65PU1P	R 62	LS250
		2.2 - 4	100 - 112	1450 4pole	28	Taper 1:8	25.4	ND11	ND65C	ND65PU1P	R 62	LS250
		3 - 4	100 - 112	2900 2pole	28	Taper 1:8	25.4	ND11	ND65C	ND65PU1P	R 62	LS250
		3 - 5.5	132	960 6pole	38	Taper 1:8	25.4	ND900	ND86B	NS86PU1P	R 82	LS310
		5.5 - 7.5	132	1450 4pole	38	Taper 1:8	25.4	ND900	ND86B	NS86PU1P	R 82	LS310
		5.5 - 7.5	132	2900 2pole	38	Taper 1:8	25.4	ND900	ND86B	NS86PU1P	R 82	LS310
		Group 1Marzocchi	Bolt Centers 73mm x 56mm	0.25 - 0.37	71	1400 4pole	14	Taper 1:8	30	ND3A	ND48B	ND48P1M
0.37 - 0.55	71			2900 2pole	14	Taper 1:8	30	ND3A	ND48B	ND48P1M	R 42	LS162
0.37 - 0.55	80			960 pole	19	Taper 1:8	30	ND6A	ND48C	ND48P1M	R 42	LS202
0.55 - 0.75	80			1400 4pole	19	Taper 1:8	30	ND6A	ND48C	ND48P1M	R 42	LS202
0.75 - 1.1	80			2900 2pole	19	Taper 1:8	30	ND6A	ND48C	ND48P1M	R 42	LS202
0.75 - 1.1	90			960 6pole	24	Taper 1:8	30	ND9A	ND65B	ND48P1M	R 62	LS202
1.1 - 1.5	90			1450 4pole	24	Taper 1:8	30	ND9A	ND65B	ND65P1M	R 62	LS202
1.5 - 2.2	90			2900 2pole	24	Taper 1:8	30	ND9A	ND65B	ND65P1M	R 62	LS202
1.5 - 2.2	100 - 112			960 6pole	28	Taper 1:8	30	ND12A	ND65C	ND65P1M	R 62	LS251
2.2 - 4	100 - 112			1450 4pole	28	Taper 1:8	30	ND12A	ND65C	ND65P1M	R 62	LS251
3 - 4	100 - 112			2900 2pole	28	Taper 1:8	30	ND12A	ND65C	ND65P1M	R 62	LS251
3 - 5.5	132			960 6pole	38	Taper 1:8	30	ND900A	ND86B	NS86P1M	R 82	LS311
5.5 - 7.5	132			1450 4pole	38	Taper 1:8	30	ND901A	ND86B	NS86P1M	R 82	LS311
5.5 - 7.5	132			2900 2pole	38	Taper 1:8	30	ND901A	ND86B	NS86P1M	R 82	LS311
Group 2	Bolt Centers 96m x 71.5mm			0.37 - 0.55	80	960 6pole	19	Taper 1:8	36.5	ND7	ND65A	ND65P2
		0.55 - 0.75	80	1400 4pole	19	Taper 1:8	36.5	ND7	ND65A	ND65P2	R 62	LS203
		0.75 - 1.1	80	2900 2pole	19	Taper 1:8	36.5	ND7	ND65A	ND65P2	R 62	LS203
		0.75 - 1.1	90	960 6pole	24	Taper 1:8	36.5	ND10	ND65B	ND65P2	R 62	LS203
		1.1 - 1.5	90	1450 4pole	24	Taper 1:8	36.5	ND10	ND65B	ND65P2	R 62	LS203
		1.5 - 2.2	90	2900 2pole	24	Taper 1:8	36.5	ND10	ND65B	ND65P2	R 62	LS203
		1.5 - 2.2	100 - 112	960 6pole	28	Taper 1:8	36.5	ND13	ND65C	ND65P2	R 62	LS252/3
		2.2 - 4	100 - 112	1450 4pole	28	Taper 1:8	36.5	ND13	ND65C	ND65P2	R 62	LS252/3
		3 - 4	100 - 112	2900 2pole	28	Taper 1:8	36.5	ND13	ND65C	ND65P2	R 62	LS252/3
		3 - 5.5	132	960 6pole	38	Taper 1:8	36.5	ND16	ND86B	ND86P2	R 82	LS300
		5.5 - 7.5	132	1450 4pole	38	Taper 1:8	36.5	ND16	ND86B	ND86P2	R 82	LS300
		5.5 - 7.5	132	2900 2pole	38	Taper 1:8	36.5	ND16	ND86B	ND86P2	R 82	LS300
		7.5 - 11	160	960 6pole	42	Taper 1:8	36.5	ND43A	ND108B	ND108P2	R 103	LS350
		11 - 15	160	1450 4pole	42	Taper 1:8	36.5	ND43A	ND108B	ND108P2	R 103	LS350
		11 - 18.5	160	2900 2pole	42	Taper 1:8	36.5	ND43A	ND108B	ND108P2	R 103	LS350
Group 2 BK 1	Bolt Centers 100mm x 72mm	0.37 - 0.55	80	960 6pole	19	Taper 1:5	80	ND202	ND65A	ND65PZF	R 62	LBS21
		0.55 - 0.75	80	1400 4pole	19	Taper 1:5	80	ND202	ND65A	ND65PZF	R 62	LBS21
		0.75 - 1.1	80	2900 2pole	19	Taper 1:5	80	ND202	ND65A	ND65PZF	R 62	LBS21
		0.75 - 1.1	90	960 6pole	24	Taper 1:5	80	ND203	ND65B	ND65PZF	R 62	LBS21
		1.1 - 1.5	90	1450 4pole	24	Taper 1:5	80	ND203	ND65B	ND65PZF	R 62	LBS21
		1.5 - 2.2	90	2900 2pole	24	Taper 1:5	80	ND203	ND65B	ND65PZF	R 62	LBS21
		1.5 - 2.2	100 - 112	960 6pole	28	Taper 1:5	80	ND208	ND86A	ND86PZF	R 82	LBS24
		2.2 - 4	100 - 112	1450 4pole	28	Taper 1:5	80	ND208	ND86A	ND86PZF	R 82	LBS24
		3 - 4	100 - 112	2900 2pole	28	Taper 1:5	80	ND208	ND86A	ND86PZF	R 82	LBS24
		3 - 5.5	132	960 6pole	38	Taper 1:5	80	ND210	ND86B	ND86PFZ	R 82	LBS26
		5.5 - 7.5	132	1450 4pole	38	Taper 1:5	80	ND210	ND86B	ND86PFZ	R 82	LBS26
		5.5 - 7.5	132	2900 2pole	38	Taper 1:5	80	ND210	ND86B	ND86PFZ	R 82	LBS26
		7.5 - 11	160	960 6pole	42	Taper 1:5	80	ND43D	ND108B	ND108PZF	R 103	LBS31
		11 - 15	160	1450 4pole	42	Taper 1:5	80	ND43D	ND108B	ND108PZF	R 103	LBS31
		11 - 18.5	160	2900 2pole	42	Taper 1:5	80	ND43D	ND108B	ND108PZF	R 103	LBS31
15	180	960 6pole	48	Taper 1:5	80	ND44D	ND108C	ND108PZB	R 103	LBS31		
18.5 - 22	180	1450 4pole	48	Taper 1:5	80	ND44D	ND108C	ND108PZB	R 103	LBS31		
22	180	2900 2pole	48	Taper 1:5	80	ND44D	ND108C	ND108PZB	R 103	LBS31		

# Bell Housings & Couplings

## Gear Pump Couplings - Continued

Pump Group	Mounting Detail	Motor and Pump Details							Part Numbers					
		Motor size (kW)	Frame size	Motor Speed / Poles	Motor shaft diameter mm	Pump shaft details	Spigot mm	Complete Coupling Part Number	Motor Half	Pump Half	Spider	Bell Housing		
Group 3	Bolt Centers 128mm x 98.5mm	1.5 - 2.2	100 - 112	960 6pole	28	Taper 1:8	50.8	ND15	ND86A	ND86P3U	R 82	LS256		
		2.2 - 4	100 - 112	1450 4pole	28	Taper 1:8	50.8	ND15	ND86A	ND86P3U	R 82	LS256		
		3 - 4	100 - 112	2900 2pole	28	Taper 1:8	50.8	ND15	ND86A	ND86P3U	R 82	LS256		
		3 - 5.5	132	960 6pole	38	Taper 1:8	50.8	ND17	ND86B	ND86P3U	R 82	LS303		
		5.5 - 7.5	132	1450 4pole	38	Taper 1:8	50.8	ND17	ND86B	ND86P3U	R 82	LS303		
		5.5 - 7.5	132	2900 2pole	38	Taper 1:8	50.8	ND17	ND86B	ND86P3U	R 82	LS303		
		7.5 - 11	160	960 6pole	42	Taper 1:8	50.8	ND43C	ND108B	ND108P3U	R 103	LS353		
		11 - 15	160	1450 4pole	42	Taper 1:8	50.8	ND43C	ND108B	ND108P3U	R 103	LS353		
		11 - 18.5	160	2900 2pole	42	Taper 1:8	50.8	ND43C	ND108B	ND108P3U	R 103	LS353		
		15	180	960 6pole	48	Taper 1:8	50.8	ND44C	ND108C	ND108P3U	R 103	LS353		
		18.5 - 22	180	1450 4pole	48	Taper 1:8	50.8	ND44C	ND108C	ND108P3U	R 103	LS353		
		22	180	2900 2pole	48	Taper 1:8	50.8	ND44C	ND108C	ND108P3U	R 103	LS353		
		18.5 - 22	200	960 6pole	55	Taper 1:8	50.8	ND40	ND108D	ND108Q3U	R 103	LSE402		
		30	200	1450 4pole	55	Taper 1:8	50.8	ND40	ND108D	ND108Q3U	R 103	LSE402		
		30-37	200	2900 2pole	55	Taper 1:8	50.8	ND40	ND108D	ND108Q3U	R 103	LSE402		
		30	225	960 6pole	60	Taper 1:8	50.8	ND32	ND143C	ND143P3U	R 132	LS457		
37-45	225	1450 4pole	60	Taper 1:8	50.8	ND32	ND143C	ND143P3U	R 132	LS457				
Group 3.5	Bolt Centers 148mm x 120mm	3 - 5.5	132	960 6pole	38	Taper 1:8	60	ND18C	ND108A	ND108P35	R 103	LS303		
		5.5 - 7.5	132	1450 4pole	38	Taper 1:8	60	ND18C	ND108A	ND108P35	R 103	LS303		
		5.5 - 7.5	132	2900 2pole	38	Taper 1:8	60	ND18C	ND108A	ND108P35	R 103	LS303		
		7.5 - 11	160	960 6pole	42	Taper 1:8	60	ND21	ND108B	ND108Q35	R 103	LSE355		
		11 - 15	160	1450 4pole	42	Taper 1:8	60	ND21	ND108B	ND108Q35	R 103	LSE355		
		11 - 18.5	160	2900 2pole	42	Taper 1:8	60	ND21	ND108B	ND108Q35	R 103	LSE355		
		15	180	960 6pole	48	Taper 1:8	60	ND25	ND108C	ND108Q35	R 103	LSE355		
		18.5 - 22	180	1450 4pole	48	Taper 1:8	60	ND25	ND108C	ND108Q35	R 103	LSE355		
		22	180	2900 2pole	48	Taper 1:8	60	ND25	ND108C	ND108Q35	R 103	LSE355		
		18.5 - 22	200	960 6pole	55	Taper 1:8	60	ND41	ND108D	ND108Q35	R 103	LSE404		
		30	200	1450 4pole	55	Taper 1:8	60	ND41	ND108D	ND108Q35	R 103	LSE404		
		30-37	200	2900 2pole	55	Taper 1:8	60	ND41	ND108D	ND108Q35	R 103	LSE404		
		30	225	960 6pole	60	Taper 1:8	60	ND32	ND143C	ND143P35	R 132	LS450		
		37-45	225	1450 4pole	60	Taper 1:8	60	ND32	ND143C	ND143P35	R 132	LS450		
		Group 4	Bolt Centers 196mm x 142.8mm	7.5 - 11	160	960 6pole	42	Taper 1:8	63.5	ND22	ND108B	ND108Q4	R 103	LSE357
				11 - 15	160	1450 4pole	42	Taper 1:8	63.5	ND22	ND108B	ND108Q4	R 103	LSE357
11 - 18.5	160			2900 2pole	42	Taper 1:8	63.5	ND22	ND108B	ND108Q4	R 103	LSE357		
15	180			960 6pole	48	Taper 1:8	63.5	ND26	ND108C	ND108Q4	R 103	LSE357		
18.5 - 22	180			1450 4pole	48	Taper 1:8	63.5	ND26	ND108C	ND108Q4	R 103	LSE357		
22	180			2900 2pole	48	Taper 1:8	63.5	ND26	ND108C	ND108Q4	R 103	LSE357		
18.5 - 22	200			960 6pole	55	Taper 1:8	63.5	ND42	ND108D	ND108Q4	R 103	LSE406		
30	200			1450 4pole	55	Taper 1:8	63.5	ND42	ND108D	ND108Q4	R 103	LSE406		
30-37	200			2900 2pole	55	Taper 1:8	63.5	ND42	ND108D	ND108Q4	R 103	LSE406		
30	225			960 6pole	60	Taper 1:8	63.5	ND31	ND143C	ND143P4	R 132	LS452		
37-45	225			1450 4pole	60	Taper 1:8	63.5	ND31	ND143C	ND143P4	R 132	LS452		



## SAE Pump Bell Housings and Drive Couplings

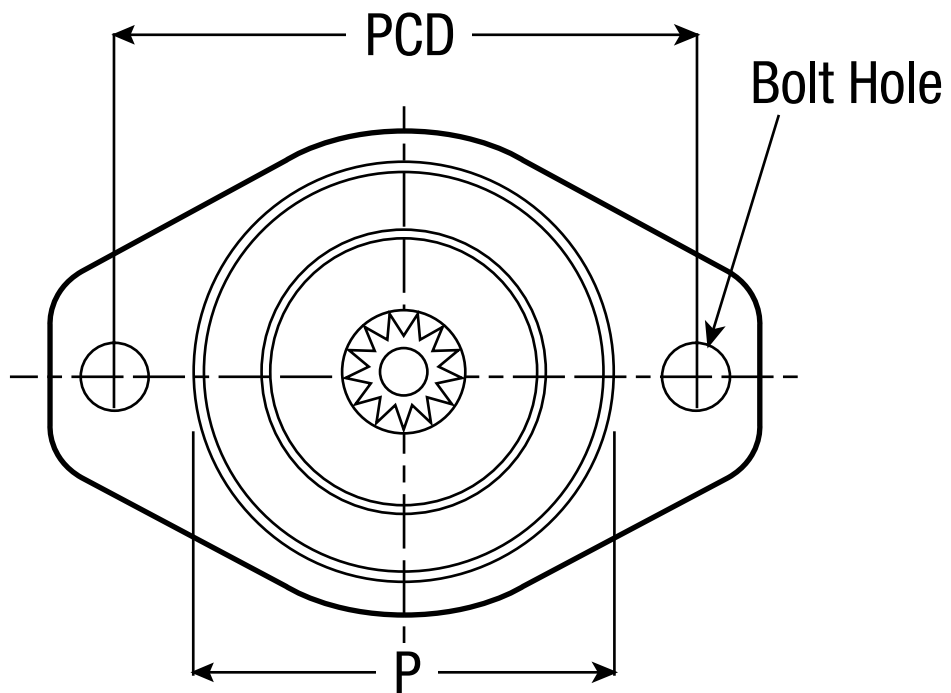
SAE Flange	SAE Shaft	Motor and Pump Details							Part Numbers			
		Motor size (kW)	Frame size	Motor Speed / Poles	Motor shaft diameter mm	Pump shaft details	Spigot mm	Motor Half	Pump Half	Spider	Bell Housing	
SAE "A" Mount	SAE "A" 5/8" Keyed	0.75 - 1.1	90	960 6pole	24	5/8"(15.88)	82.55	ND65B	ND65H1C10	R 62	TH1-825A	
		1.1 - 1.5	90	1420 4pole	24	5/8"(15.88)	82.55	ND65B	ND65H1C10	R 62	TH1-825A	
		1.5 - 2.2	90	2900 2pole	24	5/8"(15.88)	82.55	ND65B	ND65H1C10	R 62	TH1-825A	
		1.5 - 2.2	100 - 112	960 6pole	28	5/8"(15.88)	82.55	ND65C	ND65H1C10	R 62	TH2-825A	
		2.2 - 4	100 - 112	1450 4pole	28	5/8"(15.88)	82.55	ND65C	ND65H1C10	R 62	TH2-825A	
		3 - 4	100 - 112	2900 2pole	28	5/8"(15.88)	82.55	ND65C	ND65H1C10	R 62	TH2-825A	
		3 - 5.5	132	960 6pole	38	5/8"(15.88)	82.55	ND86B	ND65H1C10	R 82	TH3-825A	
		5.5 - 7.5	132	1450 4pole	38	5/8"(15.88)	82.55	ND86B	ND65H1C10	R 82	TH3-825A	
		5.5 - 7.5	132	2900 2pole	38	5/8"(15.88)	82.55	ND86B	ND65H1C10	R 82	TH3-825A	
		7.5 - 11	160	960 6pole	42	5/8"(15.88)	82.55	ND108B	ND65H1C10	R 103	TH4-825A	
		11 - 15	160	1450 4pole	42	5/8"(15.88)	82.55	ND108B	ND65H1C10	R 103	TH4-825A	
		11 - 18.5	160	2900 2pole	42	5/8"(15.88)	82.55	ND108B	ND65H1C10	R 103	TH4-825A	
		15	180	960 6pole	48	5/8"(15.88)	82.55	ND108C	ND65H1C10	R 103	TH4-825A	
18.5 - 22	180	1450 4pole	48	5/8"(15.88)	82.55	ND108C	ND65H1C10	R 103	TH4-825A			
22	180	2900 2pole	48	5/8"(15.88)	82.55	ND108C	ND65H1C10	R 103	TH4-825A			
SAE "A" Mount	SAE "AH" 3/4" Keyed	0.75 - 1.1	90	960 6pole	24	3/4" (19.05)	82.55	ND65B	ND65H1C22	R 62	TH1-825A	
		1.1 - 1.5	90	1420 4pole	24	3/4" (19.05)	82.55	ND65B	ND65H1C22	R 62	TH1-825A	
		1.5 - 2.2	90	2900 2pole	24	3/4" (19.05)	82.55	ND65B	ND65H1C22	R 62	TH1-825A	
		1.5 - 2.2	100 - 112	960 6pole	28	3/4" (19.05)	82.55	ND65C	ND65H1C22	R 62	TH2-825A	
		2.2 - 4	100 - 112	1450 4pole	28	3/4" (19.05)	82.55	ND65C	ND65H1C22	R 62	TH2-825A	
		3 - 4	100 - 112	2900 2pole	28	3/4" (19.05)	82.55	ND65C	ND65H1C22	R 62	TH2-825A	
		3 - 5.5	132	960 6pole	38	3/4" (19.05)	82.55	ND86B	ND86H1C22	R 82	TH3-825A	
		5.5 - 7.5	132	1450 4pole	38	3/4" (19.05)	82.55	ND86B	ND86H1C22	R 82	TH3-825A	
		5.5 - 7.5	132	2900 2pole	38	3/4" (19.05)	82.55	ND86B	ND86H1C22	R 82	TH3-825A	
		7.5 - 11	160	960 6pole	42	3/4" (19.05)	82.55	ND108B	ND108H1C22	R 103	TH4-825A	
		11 - 15	160	1450 4pole	42	3/4" (19.05)	82.55	ND108B	ND108H1C22	R 103	TH4-825A	
		11 - 18.5	160	2900 2pole	42	3/4" (19.05)	82.55	ND108B	ND108H1C22	R 103	TH4-825A	
		15	180	960 6pole	48	3/4" (19.05)	82.55	ND108C	ND108H1C22	R 103	TH4-825A	
18.5 - 22	180	1450 4pole	48	3/4" (19.05)	82.55	ND108C	ND108H1C22	R 103	TH4-825A			
22	180	2900 2pole	48	3/4" (19.05)	82.55	ND108C	ND108H1C22	R 103	TH4-825A			
SAE "B" Mount	SAE "B" 7/8" Keyed	1.5 - 2.2	100 - 112	960 6pole	28	7/8" (22.22)	101.6	ND65C	ND65H1C99	R 62	TH2-101A	
		2.2 - 4	100 - 112	1450 4pole	28	7/8" (22.22)	101.6	ND65C	ND65H1C99	R 62	TH2-101A	
		3 - 4	100 - 112	2900 2pole	28	7/8" (22.22)	101.6	ND65C	ND65H1C99	R 62	TH2-101A	
		3 - 5.5	132	960 6pole	38	7/8" (22.22)	101.6	ND86B	ND86H1C99	R 82	TH3-101A	
		5.5 - 7.5	132	1450 4pole	38	7/8" (22.22)	101.6	ND86B	ND86H1C99	R 82	TH3-101A	
		5.5 - 7.5	132	2900 2pole	38	7/8" (22.22)	101.6	ND86B	ND86H1C99	R 82	TH3-101A	
		7.5 - 11	160	960 6pole	42	7/8" (22.22)	101.6	ND108B	ND108H1C99	R 103	TH4-101A	
		11 - 15	160	1450 4pole	42	7/8" (22.22)	101.6	ND108B	ND108H1C99	R 103	TH4-101A	
		11 - 18.5	160	2900 2pole	42	7/8" (22.22)	101.6	ND108B	ND108H1C99	R 103	TH4-101A	
		15	180	960 6pole	48	7/8" (22.22)	101.6	ND108C	ND108H1C99	R 103	TH4-101A	
		18.5 - 22	180	1450 4pole	48	7/8" (22.22)	101.6	ND108C	ND108H1C99	R 103	TH4-101A	
		22	180	2900 2pole	48	7/8" (22.22)	101.6	ND108C	ND108H1C99	R 103	TH4-101A	
		18.5 - 22	200	960 6pole	55	7/8" (22.22)	101.6	ND108D	ND108H1C99	R 103	TH15-101A	
		30	200	1450 4pole	55	7/8" (22.22)	101.6	ND108D	ND108H1C99	R 103	TH15-101A	
		30-37	200	2900 2pole	55	7/8" (22.22)	101.6	ND108D	ND108H1C99	R 103	TH15-101A	
		30	225	960 6pole	60	7/8" (22.22)	101.6	ND143C	NS143A1C99	R 132	B45T1D101A	
		37-45	225	1450 4pole	60	7/8" (22.22)	101.6	ND143C	NS143A1C99	R 132	B45T1D101A	
55	250	1450 4pole	70	7/8" (22.22)	101.6	NS143C0C59	NS143A1C99	R 132	B55237XT1E101A			
75	250	1450 4pole	70	7/8" (22.22)	101.6	NS143C0C59	NS143A1C99	R 132	B55237XT1E101A			

# Bell Housings & Couplings

## SAE Pump Bell Housings and Drive Couplings - Continued

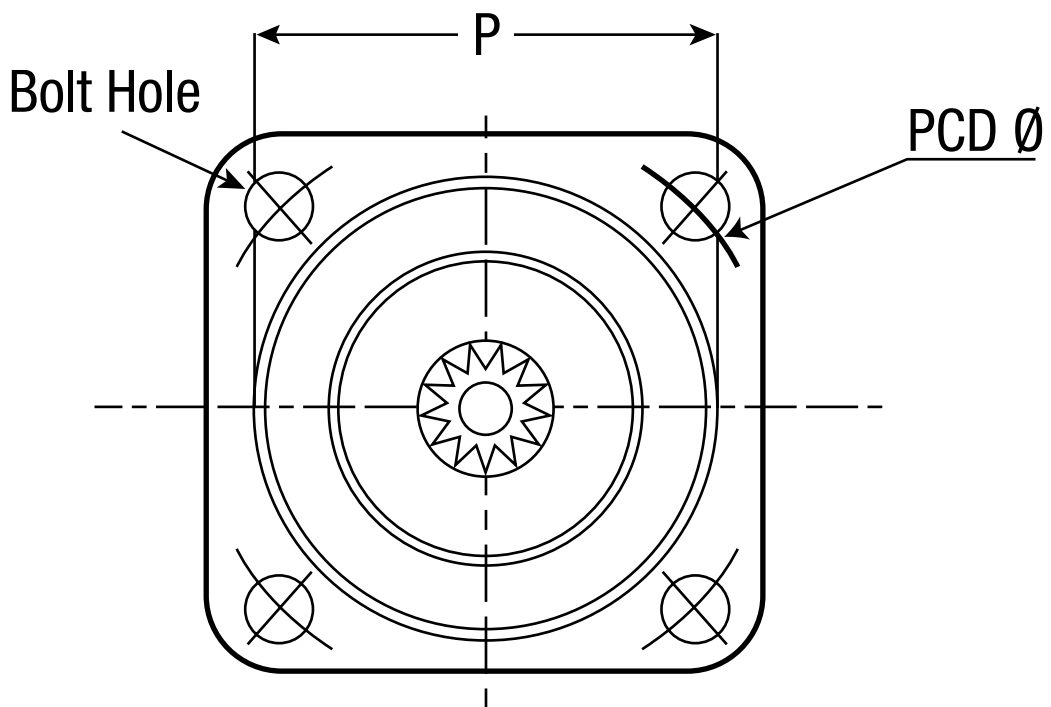
SAE Flange	SAE Shaft	Motor and Pump Details							Part Numbers			
		Motor size (kW)	Frame size	Motor Speed / Poles	Motor shaft diameter mm	Pump shaft details	Spigot mm	Motor Half	Pump Half	Spider	Bell Housing	
SAE "B" Mount	SAE "BB" 1" Keyed	7.5 - 11	160	960 6pole	42	1"(25.4)	101.6	ND108B	ND108H1C35	R 103	TH4-101A	
		11 - 15	160	1450 4pole	42	1"(25.4)	101.6	ND108B	ND108H1C35	R 103	TH4-101A	
		11 - 18.5	160	2900 2pole	42	1"(25.4)	101.6	ND108B	ND108H1C35	R 103	TH4-101A	
		15	180	960 6pole	48	1"(25.4)	101.6	ND108C	ND108H1C35	R 103	TH4-101A	
		18.5 - 22	180	1450 4pole	48	1"(25.4)	101.6	ND108C	ND108H1C35	R 103	TH4-101A	
		22	180	2900 2pole	48	1"(25.4)	101.6	ND108C	ND108H1C35	R 103	TH4-101A	
		18.5 - 22	200	960 6pole	55	1"(25.4)	101.6	ND108D	ND108H1C35	R 103	TH15-101A	
		30	200	1450 4pole	55	1"(25.4)	101.6	ND108D	ND108H1C35	R 103	TH15-101A	
		30-37	200	2900 2pole	55	1"(25.4)	101.6	ND108D	ND108H1C35	R 103	TH15-101A	
		30	225	960 6pole	60	1"(25.4)	101.6	ND143C	NS143A1C35	R 132	B45T1D101E	
		37-45	225	1450 4pole	60	1"(25.4)	101.6	ND143C	NS143A1C35	R 132	B45T1D101E	
		55	250	1450 4pole	70	1"(25.4)	101.6	NS143C0C59	NS143A1C35	R 132	B55T1D101E	
75	250	1450 4pole	70	1"(25.4)	101.6	NS143C0C59	NS143A1C35	R 132	B55T1D101E			
SAE "C" 4 Bolt Mount	SAE "C" 1 1/4" Keyed	7.5 - 11	160	960 6pole	42	1 1/4"(31.75)	127	ND108B	ND108H1C98	R 103	TH4-127C	
		11 - 15	160	1450 4pole	42	1 1/4"(31.75)	127	ND108B	ND108H1C98	R 103	TH4-127C	
		11 - 18.5	160	2900 2pole	42	1 1/4"(31.75)	127	ND108B	ND108H1C98	R 103	TH4-127C	
		15	180	960 6pole	48	1 1/4" (31.75)	127	ND108C	ND108H1C98	R 103	TH4-127C	
		18.5 - 22	180	1450 4pole	48	1 1/4" (31.75)	127	ND108C	ND108H1C98	R 103	TH4-127C	
		15	180	960 6pole	48	1 1/4" (31.75)	127	ND108C	ND108H1C98	R 103	TH4-127C	
		18.5 - 22	200	960 6pole	55	1 1/4" (31.75)	127	ND108D	ND108H1C98	R 103	TH15-127C	
		30	200	1450 4pole	55	1 1/4" (31.75)	127	ND108D	ND108H1C98	R 103	TH15-127C	
		30-37	200	2900 2pole	55	1 1/4" (31.75)	127	ND108D	ND108H1C98	R 103	TH15-127C	
		30	225	960 6pole	60	1 1/4" (31.75)	127	ND143C	NS143A7D98	R 132	B45T1D127B	
		37-45	225	1450 4pole	60	1 1/4" (31.75)	127	ND143C	NS143A7D98	R 132	B45T1D127B	
		55	250	1450 4pole	70	1 1/4" (31.75)	127	NS143C0C59	NS143A7D98	R 132	B55237XT1E127B	
75	250	1450 4pole	70	1 1/4" (31.75)	127	NS143C0C59	NS143A7D98	R 132	B55237XT1E127B			
SAE "C" 2 Bolt Mount	SAE "C" 1 1/4" Keyed	7.5 - 11	160	960 6pole	42	1 1/4"(31.75)	127	ND108B	ND108H1C98	R 103	TH4-127A	
		11 - 15	160	1450 4pole	42	1 1/4"(31.75)	127	ND108B	ND108H1C98	R 103	TH4-127A	
		11 - 18.5	160	2900 2pole	42	1 1/4"(31.75)	127	ND108B	ND108H1C98	R 103	TH4-127A	
		15	180	960 6pole	48	1 1/4" (31.75)	127	ND108C	ND108H1C98	R 103	TH4-127A	
		18.5 - 22	180	1450 4pole	48	1 1/4" (31.75)	127	ND108C	ND108H1C98	R 103	TH4-127A	
		15	180	960 6pole	48	1 1/4" (31.75)	127	ND108C	ND108H1C98	R 103	TH4-127A	
		18.5 - 22	200	960 6pole	55	1 1/4" (31.75)	127	ND108D	ND108H1C98	R 103	TH15-127A	
		30	200	1450 4pole	55	1 1/4" (31.75)	127	ND108D	ND108H1C98	R 103	TH15-127A	
		30-37	200	2900 2pole	55	1 1/4" (31.75)	127	ND108D	ND108H1C98	R 103	TH15-127A	
		30	225	960 6pole	60	1 1/4" (31.75)	127	ND143C	NS143A7D98	R 132	B45T1D127A	
		37-45	225	1450 4pole	60	1 1/4" (31.75)	127	ND143C	NS143A7D98	R 132	B45T1D127A	
		55	250	1450 4pole	70	1 1/4" (31.75)	127	NS143C0C59	NS143A7D98	R 132	B55T1D127A	
75	250	1450 4pole	70	1 1/4" (31.75)	127	NS143C0C59	NS143A7D98	R 132	B55T1D127A			
SAE "C" 4 Bolt Mount	SAE "CC" 1 1/2" Keyed	7.5 - 11	160	960 6pole	42	1 1/2" (38.10)	127	ND108B	ND108H1C48	R 103	TH4-127C	
		11 - 15	160	1450 4pole	42	1 1/2" (38.10)	127	ND108B	ND108H1C48	R 103	TH4-127C	
		11 - 18.5	160	2900 2pole	42	1 1/2" (38.10)	127	ND108B	ND108H1C48	R 103	TH4-127C	
		15	180	960 6pole	48	1 1/2" (38.10)	127	ND108C	ND108H1C48	R 103	TH4-127C	
		18.5 - 22	180	1450 4pole	48	1 1/2" (38.10)	127	ND108C	ND108H1C48	R 103	TH4-127C	
		22	180	2900 2pole	48	1 1/2" (38.10)	127	ND108C	ND108H1C48	R 103	TH4-127C	
		18.5 - 22	200	960 6pole	55	1 1/2" (38.10)	127	ND108D	ND108H1C48	R 103	TH15-127C	
		30	200	1450 4pole	55	1 1/2" (38.10)	127	ND108D	ND108H1C48	R 103	TH15-127C	
		30-37	200	2900 2pole	55	1 1/2" (38.10)	127	ND108D	ND108H1C48	R 103	TH15-127C	
		30	225	960 6pole	60	1 1/2" (38.10)	127	ND143C	NS143A1C48	R 132	B45T1D127B	
		37-45	225	1450 4pole	60	1 1/2" (38.10)	127	ND143C	NS143A1C48	R 132	B45T1D127B	
		55	250	1450 4pole	70	1 1/2" (38.10)	127	NS143C0C59	NS143A1C48	R 132	B55237XT1E127B	
75	250	1450 4pole	70	1 1/2" (38.10)	127	NS143C0C59	NS143A1C48	R 132	B55237XT1E127B			





**SAE 2 - Bolt Mounting Flanges**

SAE Code	Bolt PCD	Bolt Hole $\varnothing$	Spigot $\varnothing$ (P)
A	106.34mm	11mm	82.55mm
B	146.05mm	14.27mm	101.6mm
C	180.97mm	17.45mm	127mm



**SAE 4 - Bolt Mounting Flanges**

SAE Code	Bolt PCD	Bolt Hole $\varnothing$	Spigot $\varnothing$ (P)
B	127mm	14.27mm	101.6mm
C	161.9mm	14.27mm	127mm

