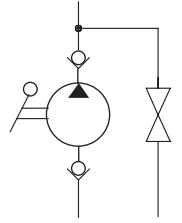


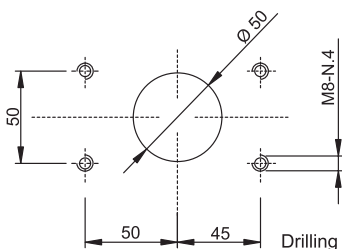
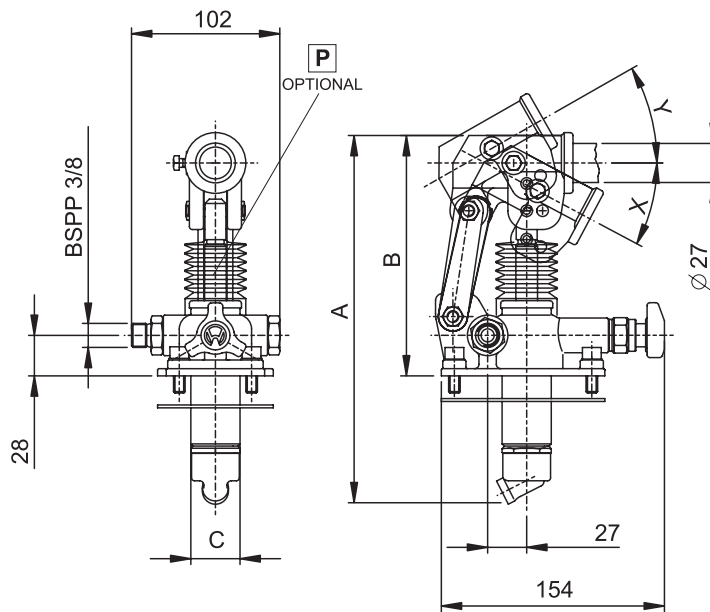
Hand Pumps



PMS Series - Hand Pumps

Double acting hand pumps with cast iron body, chrome plated rod and an unloading valve. Lever included.

| Part Number | Pump Model | Displacement cm ³ | Max Working Pressure | A | B | C | Lever |
|-------------|------------|------------------------------|----------------------|-----|-----|----|--------|
| 17200001 | PMS12 | 12 | 380 Bar | 253 | 166 | 34 | 600 mm |
| 17200002 | PMS25 | 25 | 350 Bar | 273 | 172 | 34 | 600 mm |
| 17200004 | PMS45 | 45 | 280 Bar | 283 | 172 | 40 | 600 mm |

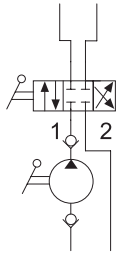


Drilling to be carried out on the tank for the pump fixing

For Aluminium and Steel tanks for use with PSM Series hand pumps, see accessories section.

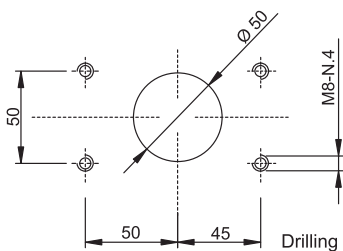
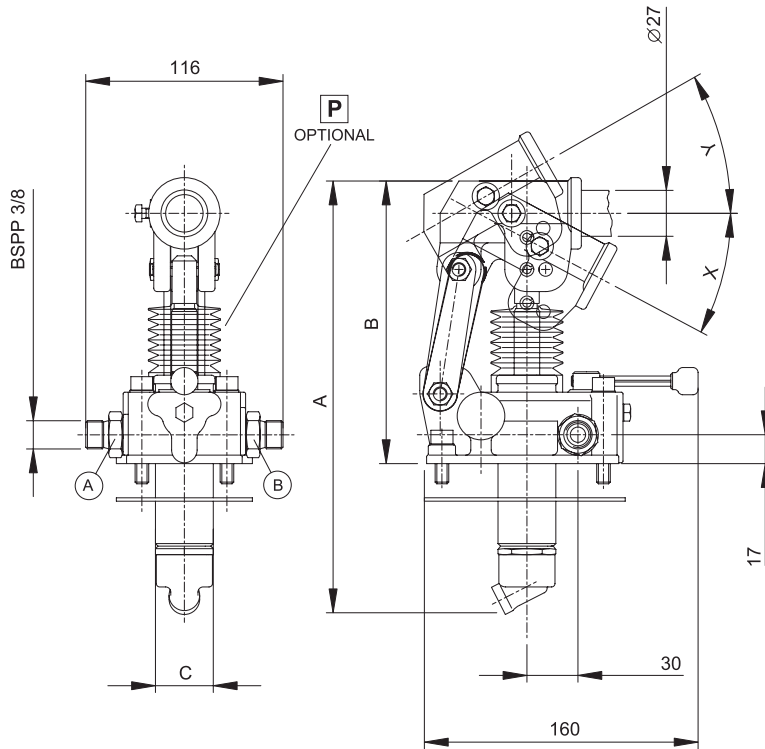


PMI Series - Hand Pumps with Flow Diverter



Double acting hand pumps with four-way three position flow diverter and relief valve. Lever included.

| Part Number | Pump Model | Displacement cm ³ | Max Working Pressure | A | B | C | Lever |
|-------------|------------|------------------------------|----------------------|-----|-----|----|--------|
| 17300006 | PMI45RV | 45 | 280 Bar | 283 | 172 | 40 | 600 mm |



Drilling to be carried out on the tank for the pump fixing