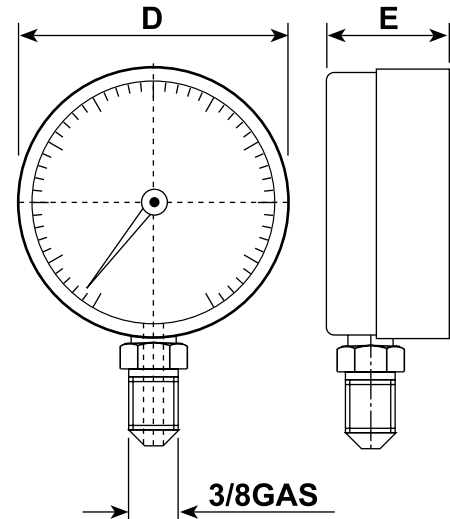


Accessories

AV, AS and AT Series Hydraulic Force and Pressure Guages



- 5 - 250 Ton
- 0 - 700 Bar
- Accuracy of full scale $\pm 2\%$

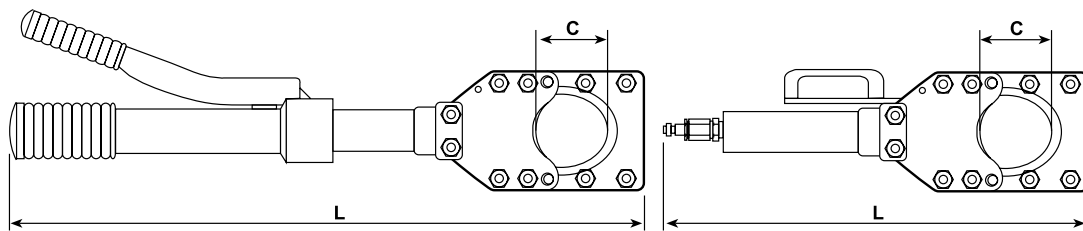
Used with	Model	Type Tn	Kg/cm ²	Scale	D mm	E mm	Glycerine
All Cylinders	AV10008		0-700	20	80	35	*
	AV10010		0-700	10	100	35	*
Cylinders	AS00410	0-4 / 0-10	0-700	-	100	35	
	AS01610	0-15 / 0-20	0-700	-	100	35	
	AS03010	0-30 / 0-50	0-700	-	100	35	
	AS07510	0-75 / 0-100	0-700	-	100	35	
	AS15010	0-150 / 0-200	0-700	-	100	35	
	AT00410	0-4 / 0-10	0-700	-	100	35	*
	AT01610	0-15 / 0-20	0-700	-	100	35	*
	AT03010	0-30 / 0-50	0-700	-	100	35	*
	AT07510	0-75 / 0-100	0-700	-	100	35	*
	AT15010	0-150 / 0-200	0-700	-	100	35	*

Accessories

CC Series Hydraulic Cable Cutters



- 5 - 44 Tn
- 700 Bar
- Each tool is supplied with a lightweight plastic carrying case, affording excellent tool protection and transportability
- Rotary cutting heads can be mounted in several positions to ease cutting in tight workspace
- Single acting models have spring return
- Blade replacement is exceptionally simple
- Models with integral pumps available - CC0018, CC0040, CC0075
- Models without integral pump are supplied with 3/8" NPT



Part Number	Capacity kN	L mm	C mm	Weight Kg	Wire Rope		Cable			Steel Rope		Bar		
					Alu-minium with copper ø Ext. mm	Alu-minium with steel ø Ext. mm	Tele- phone ø Ext. mm	Lead Shield- ed ø Ext. mm	Under- ground ø Ext. mm	Max. Strength 1.800 N/mm ²		Steel	Copper Alloy	Alu- minium Alloy
										ø Ext. mm	Wire ø Ext. mm			
					ø Ext. mm	ø Ext. mm	ø Ext. mm							
CC.00.18	50	385	18	2.8	18	18	18	18	18	1	18	12	15	15
CC.01.18	50	212	18	2	18	18	18	18	18	1	18	12	15	15
CC.00.40	140	490	41.5	5.6	40	40	40	40	40	32	2	20	30	30
CC.01.40	135	290	41.5	4.5	40	40	40	40	40	32	2	20	30	30
CC.00.75	70	650	75	6.8	40	*	75	75	75	*	*	*	*	*
CC.01.75	70	451	75	5.5	40	*	75	75	75	*	*	*	*	*
CC.01.90	110	535	90	9.4	35	*	90	90	90	*	*	*	*	*
CC.01.120	135	630	122	11.7	35	*	120	120	120	*	*	*	*	*
CC.01.60	437	380	60	12	60	60	*	*	*	60	3	25	35	35
CC.02.60	390	490	64	12	60	60	*	*	*	60	3	25	35	35

Accessories

Part Number	Capacity kN	Length mm	Weight Kg	Quality			Minimum	Model of nut	Replacement blade
				12.9	8.8	5.6			
CN.00.24	138	471	4.3	M24 7/8"	M27 1"	M27 1"	M12 1/2"	ASTM A 194	CRN.00.24
CN.01.52	439	388	13	M52 2"	M52 2"	M52 2"	M36 1-1/2"		CRN.01.52
CN.01.80	1134	435	40	M80 3"	M80 3"	M80 3"	M72 2-3/4"		CRN.01.80
CN.02.24	135	207	4	M24 7/8"	M27 1"	M27 1"	M12 1/2"		CRN.02.24
CN.02.33	350	267	11	M33 2"	M33 2"	M33 2"	M25 1"		CRN.02.33
CN.03.24	135	296	5	*	M24 7/8"	M24 7/8"	M16 5/8"		CRN.03.24

	<p>CN00224</p>
	<p>CN0152 CN0180</p>
	<p>CN0224 CN0233</p>
	<p>CN0324</p>

Hydraulic Pullers



- 5 - 50 Ton
- 700 Bar
- We offer a wide range of pullers ranging from 5 to 50 tons
- Tools are manufactured from highest quality forged steel and each set is supplied in a strong wooden toolbox for safe and easy transportation and storage
- Complete sets include
- Grip puller, bearing pullers, bearing cup puller, cylinder, pump, hose, gauge adaptor, gauge and male coupling

Self-Centering Hydraulic Pullers



- 10 - 50 Ton
- 700 Bar
- We also offer a range of self centering pullers with capacities ranging from 10 to 50 tons
- Each set is supplied in a strong wooden toolbox for safe and easy transportation and storage
- We recommend contacting our call centre for expert advice as to the appropriate puller set or tool for your application