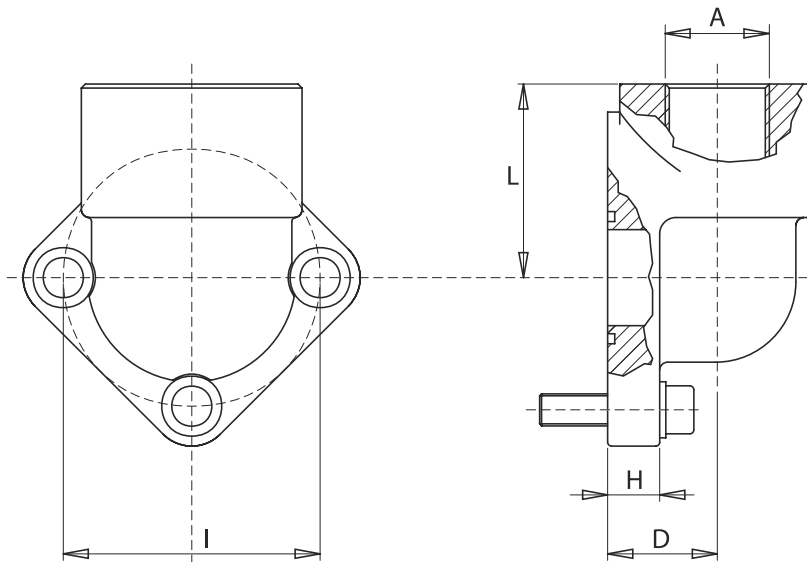


Gear Pump Port Flanges

Type RPA Cast Iron Gearpump Elbows



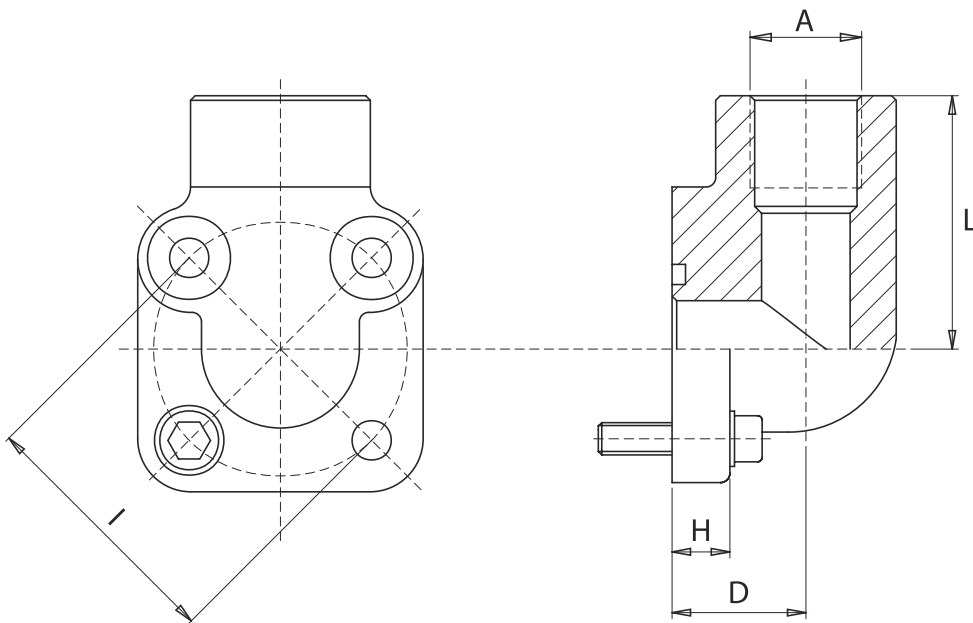
Part Number	Pump Group	Dimensions					Screws	O-Rings
		A (BSP)	I	D	H	L		
RPA1-038-M	1	3/8"	30	17	10	27	M6x20	121
RPA1-012-M	1 & 2	1/2"	30	17	10	27	M6x20	121
RPA2-038-M	2	3/8"	40	21	11	36	M8x25	132
RPA2-012-M	2	1/2"	40	21	11	36	M8x25	132
RPA2-034-M	2	3/4"	40	21	11	36	M8x25	132
RPA3-034-M	3	3/4"	51	27	15	46	M10x30	4118
RPA3-100-M	3	1"	51	27	15	46	M10x30	4118
RPA3-034B-M	3	3/4"	56	27	15	46	M10x30	4118
RPA3-100B-M	3	1"	56	27	15	46	M10x30	4118
RPA35-114M10	3	1 1/4"	62	36	16	56	M10x30	4150



Type RIA Cast Iron Gearpump Elbows



Part Number	Pump Group	Dimensions					Screws		O-Rings
		I	A (BSP)	D	H	L	N 2	N 2	
RIA 30-038-M	1P	30	3/8"	19	11	40	M6x20	M6x35	121
RIA 30-012-M	1P	30	1/2"	19	11	40	M6x20	M6x35	121
RIA 35-038-M	2BK	35	3/8"	18	11.5	40	M6x20	M6x35	3075
RIA 35-012-M	2BK	35	1/2"	18	11.5	40	M6x20	M6x35	3075
RIA 40-038-M	2BK	40	3/8"	24	13	42.5	M6x25	M6x45	132
RIA 40-012-M	2BK	40	1/2"	24	13	42.5	M6x25	M6x45	132
RIA 40-034-M	2BK	40	3/4"	24	13	42.5	M6x25	M6x45	132



Gear Pump Port Flanges

Type F Cast Iron Gearpump Flanges



Part Number	Pump Group	Dimensions				Screws	O-Rings
		I	B	A (BSP)	H		
F1-038-M	1	30	45	3/8"	13	M6x16	2075
F2-012-M	2	40	58	1/2"	15	M8x20	2100
F3-034-M	3	51	76	3/4"	18	M10x25	3125
F3-034B-M	3	56	76	3/4"	18	M10x25	3125
F35-100-M10	3	62	88	1"	20	M10x30	144

