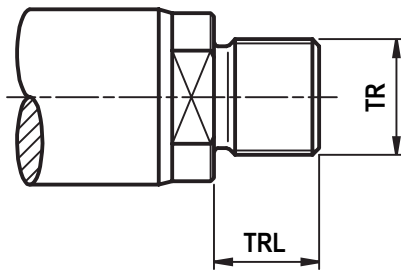
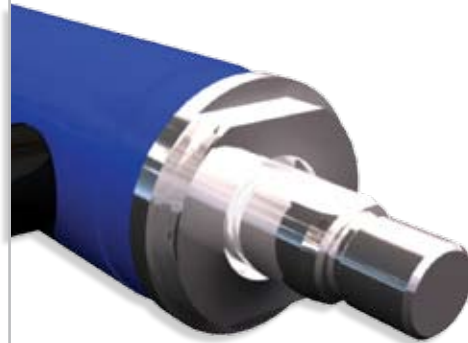


Rod Ends

Data Sheet - GQ2- Series Rod End Threads

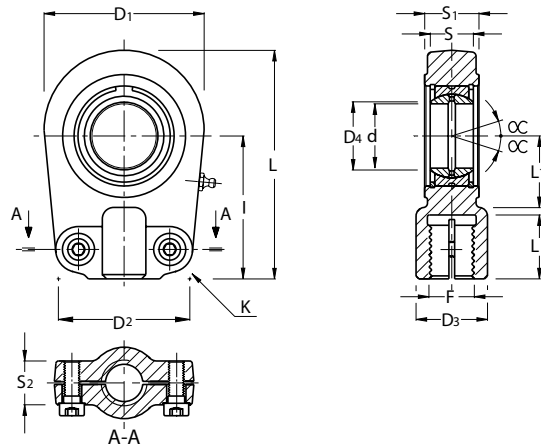


Cylinder Size		Specify "SN"			Specify "CF"		
Bore Size	Rod Size	Rod End	TR	TRL	Rod End	TR	TRL
40	20	SN20U	M16 x 1,5	16	CF11316	M16 x 1,5	21
	25						
50	25	SN25U	M16 x 1,5	16	CF11316	M16 x 1,5	21
	30						
63	30	SN30U	M22 x 1,5	22	CF11327	M27 x 2	34
	35						
80	40	SN40U	M35 x 1,5	34	CF11333	M33 x 2	43
	50						
100	50	SN50U	M45 x 1,5	43	CF11342	M42 x 3	54
	70						
125	70	SN60U	M58 x 1,5	57	CF11348	M48 x 2	60
	90						
160	80	SN80U	M80 x 2	78	CF11364	M64 x 3	80
	100						

Note: Rod end threads may be machined to suit customer requirements. No additional charge is levied if the thread major diameter is smaller than the shaft and if the pitch does not exceed 3mm. Additional cost's will be incurred if the thread length "TRL" exceeds the standard listed on the data sheet.



Data Sheet - SN..U Series Rod Ends

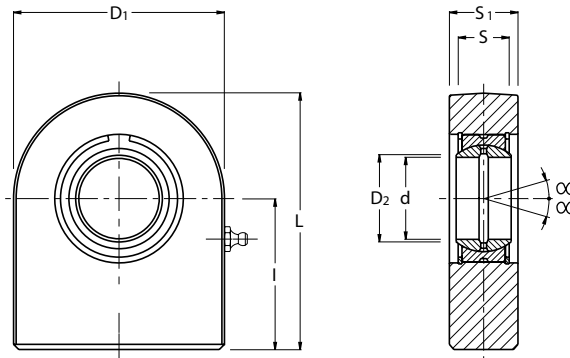


Part No.	d	S	D4	I	D1	D2	S1	S2	L	L1	D3	F	LF	Load Rating (kN)		K	Weight
														Dynamic	Static		
SN20U	20	16	24,1	50	56	46	19	17	80	25	25	M16 x 1,5	17	30	81	M8 x 18	0,44
SN25U	25	20	29,3	50	56	46	23	21	80	28	25	M16 x 1,5	17	48	72	M8 x 20	0,47
SN30U	30	22	34,2	60	64	50	28	26	94	30	32	M22 x 1,5	23	62	106	M8 x 25	0,77
SN35U	35	25	39,7	70	78	66	30	28	112	38	40	M28 x 1,5	29	80	153	M10 x 30	1,24
SN40U	40	28	45	85	94	76	35	33	135	45	49	M35 x 1,5	36	100	250	M10 x 35	2,12
SN50U	50	35	56	105	116	90	40	37	168	55	61	M45 x 1,5	46	156	365	M12 x 40	3,74
SN60U	60	44	66,8	130	130	120	50	46	200	65	75	M58 x 1,5	59	245	400	M16 x 45	6,49
SN80U	80	55	89,4	170	176	160	60	55	265	80	105	M80 x 2	81	400	670	M20 x 55	14,2

Note: The bearing may be substituted with a bush, see "GQ2-MC Male Clevis Cylinders" for bush details

Rod Ends

Data Sheet - SN..P Series Weld On Rod Ends



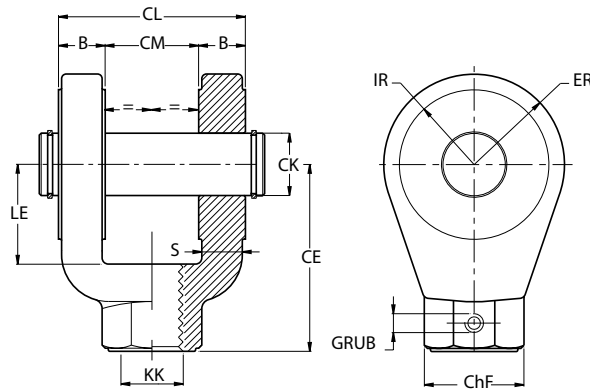
Part No.	d	S	D2	l	D1	S1	L	Load Rating (kN)		Weight
	mm								Dynamic	Static
SN20P	20	16	24,1	38	50	19	63	30	67	0,36
SN25P	25	20	29,3	45	55	23	72,5	48	69	0,53
SN30P	30	22	34,2	51	65	28	83,5	62	118	0,85
SN35P	35	25	39,7	61	83	30	102,5	80	196	1,5
SN40P	40	28	45	69	100	35	119	100	305	2,5
SN50P	50	35	56	88	123	40	149,5	156	441	4,3
SN60P	60	44	66,8	100	140	50	170	245	570	7,1
SN80P	80	55	89,4	141	180	60	231	400	804	15,1

Note: The bearing may be substituted with a bush, see "GQ2-MC Male Clevis Cylinders" for bush details



Rod Ends

Data Sheet - CF Series - Forged Forks



Part No.	CM	CK - H9	CE	CL	D	KK	LE	ER	B	IR	S	Weight	Pin	Circlip
	mm											kg	Supplied Separately	
CF11314	20	14	38	40	21	M14 x 1,5	19	17	10	14	7,5	0,23	PCF11912	ANR514
CF11316	30	20	54	60	32	M16 x 1,5	32	29	15	24	11	0,90	PCF11913	ANR520
CF11327	40	28	75	80	40	M27 x 2	39	34	20	29	17	1,92	PCF11915	ANR528
CF11333	50	36	99	100	55	M33 x 2	54	50	25	44	22	4,92	PCF11916	ANR536
CF11342	60	45	113	120	56	M42 x 2	57	53	30	49	27	6,53	PCF11917	ANR545
CF11348	70	56	126	140	75	M48 x 2	63	59	35	38	31	10,11	PCF11918	ANR556
CF11364	80	70	168	160	95	M64 x 3	83	78	40	45	37	19,20	PCF11919	ANR570

Part No.	Max. Load Rating (kN)	
	Pull	Push
CF11314	10	15
CF11316	14	30
CF11327	36	50
CF11333	60	80
CF11342	90	130
CF11348	130	200
CF11364	240	320

Note: Forks, Pins and Circlips are supplied separately, please specify clearly on order if pins and circlips are required